

1 2 3 4 5 6

A

B

C

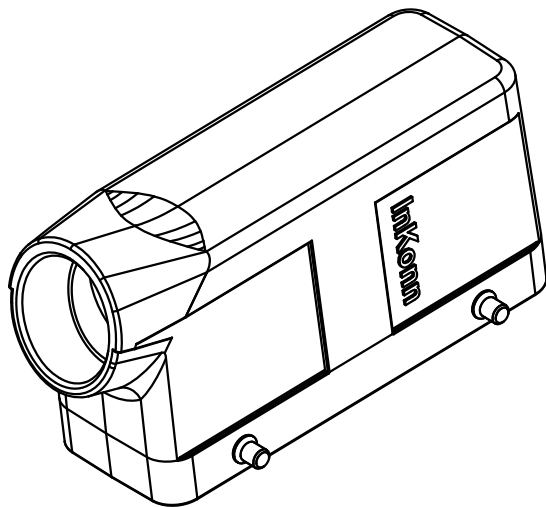
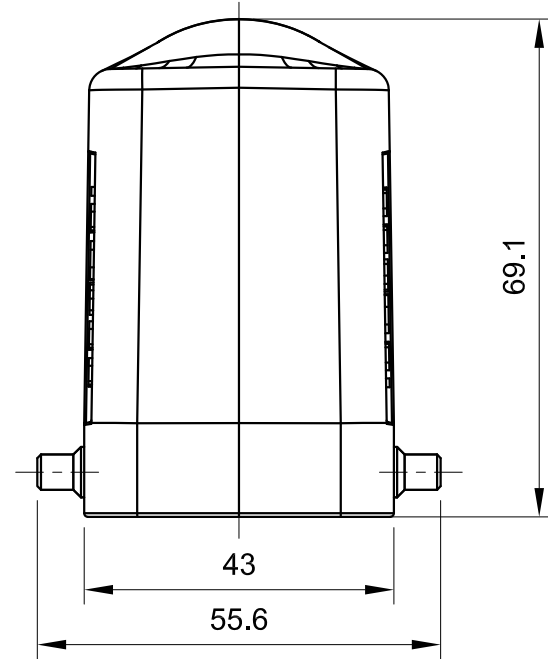
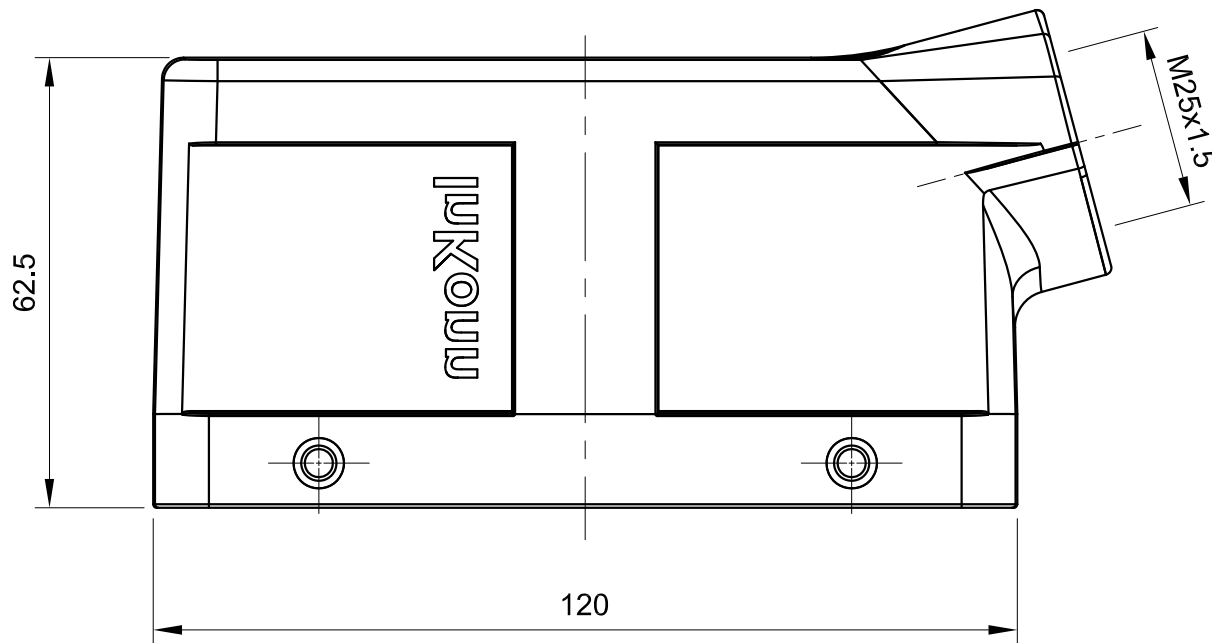
D



A

B

C

D



 All Dimensions in mm Original Size DIN A4	Date 2019-05-12	Drawing No. TC1856302	Rev. A00	Scale 1:1
	Part No. 10 14 024 0142	Created by Shuxu Huang	Checked by Yiyi Luo	Page 1/1
 InKonn® InKonn (Suzhou) Electric Technology Co.,Ltd.		Type Name HEMCB24-SE-QP-M25		

1 2 3 4 5 6